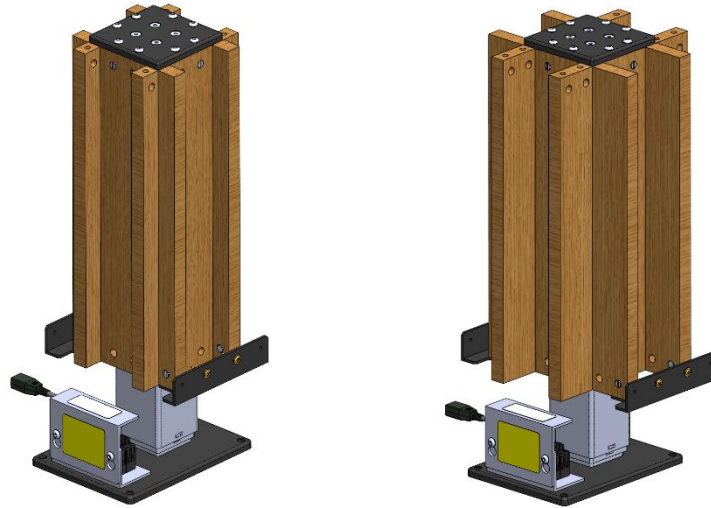


Mark Eaton LLC

<https://markeatonllc.com>

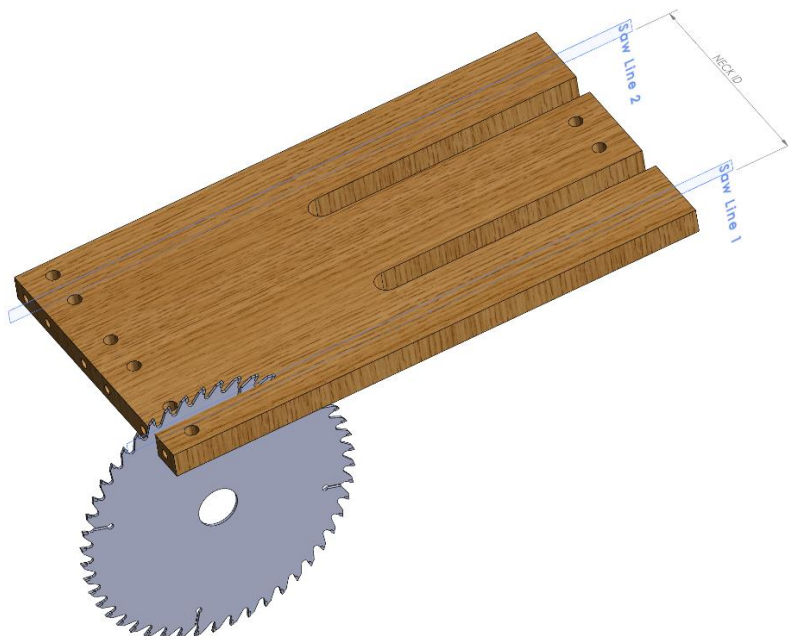
PL2022A Podium/Pulpit Lift

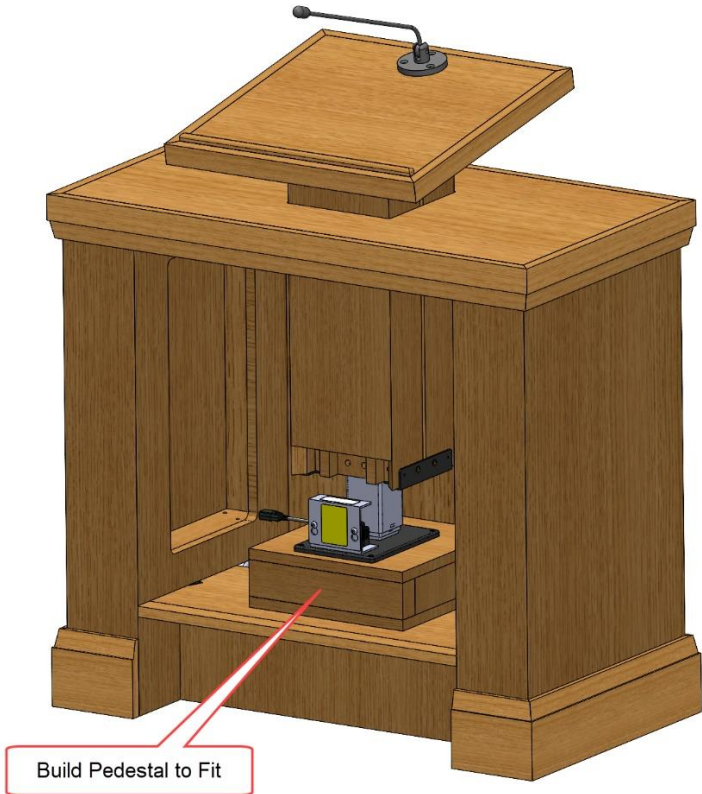
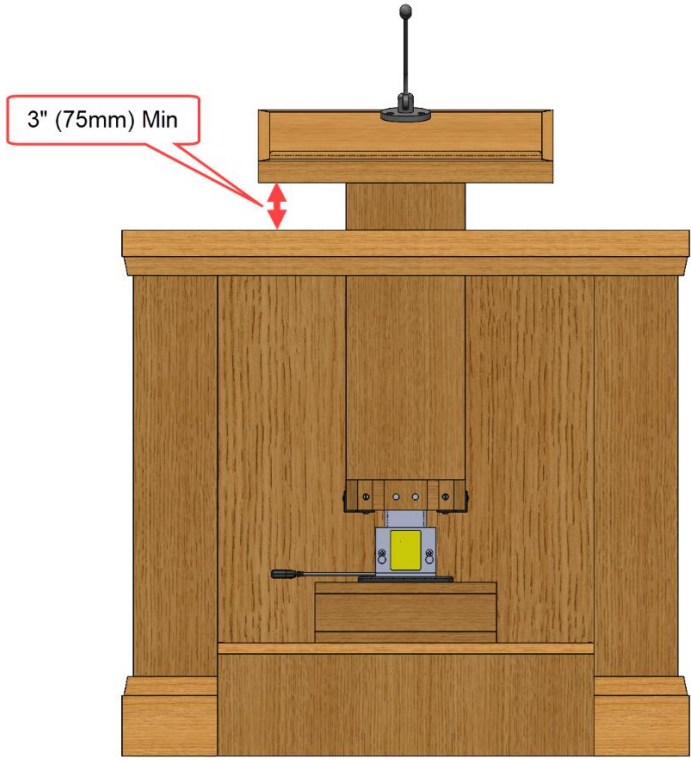


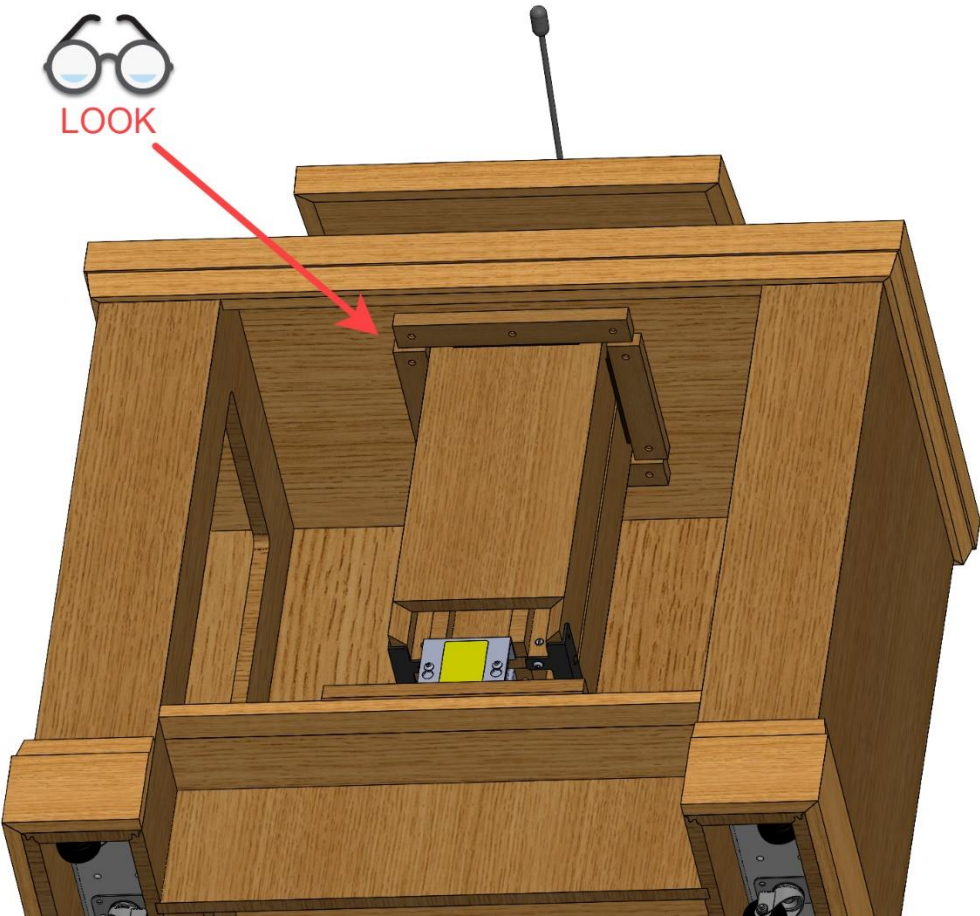
For Assembly Instructions please watch the YouTube video here:
<https://www.youtube.com/watch?v=UQrWDucDCjk> or scan the QR Code:



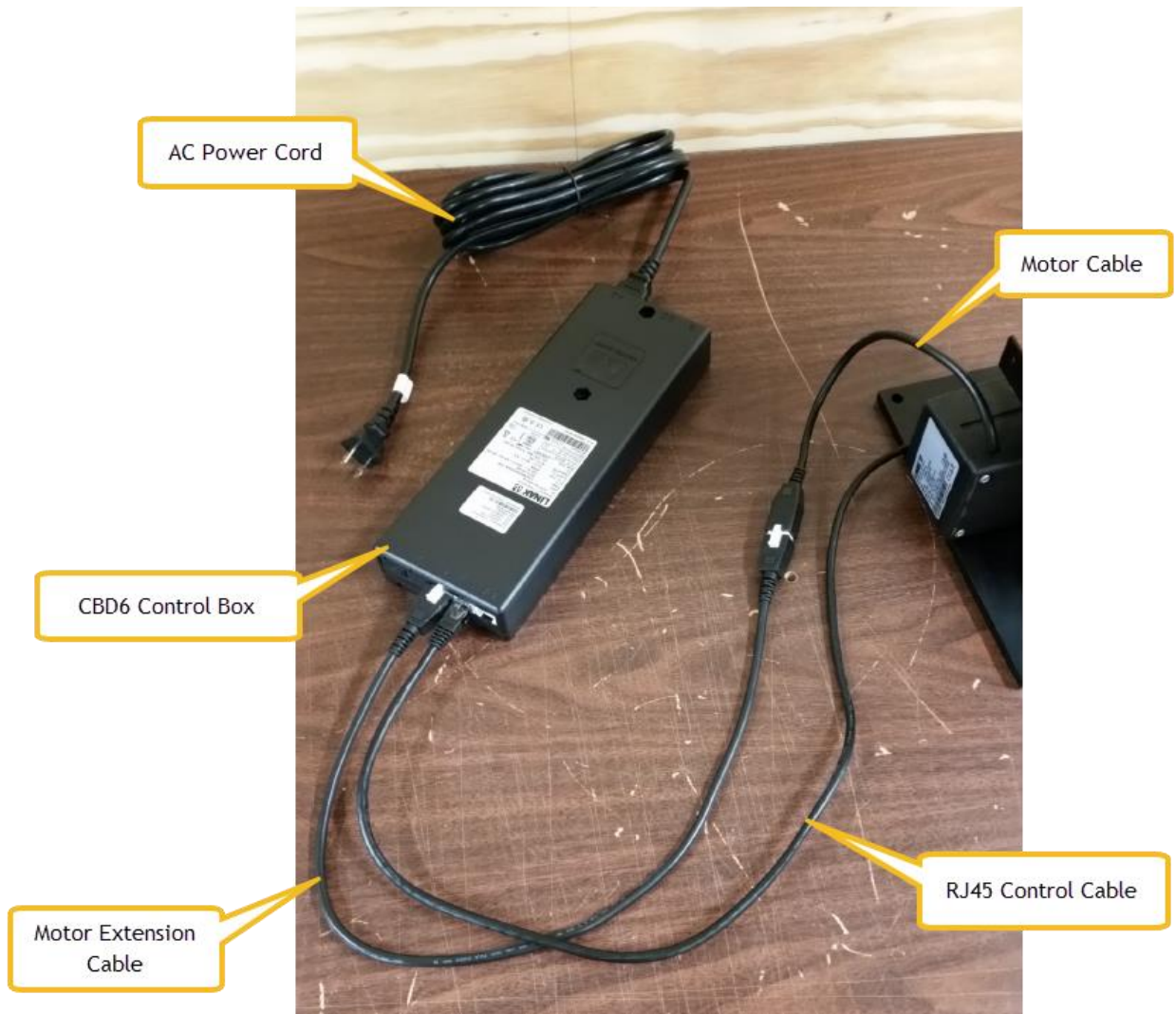
Cut column boards to fit neck ID prior to assembly.







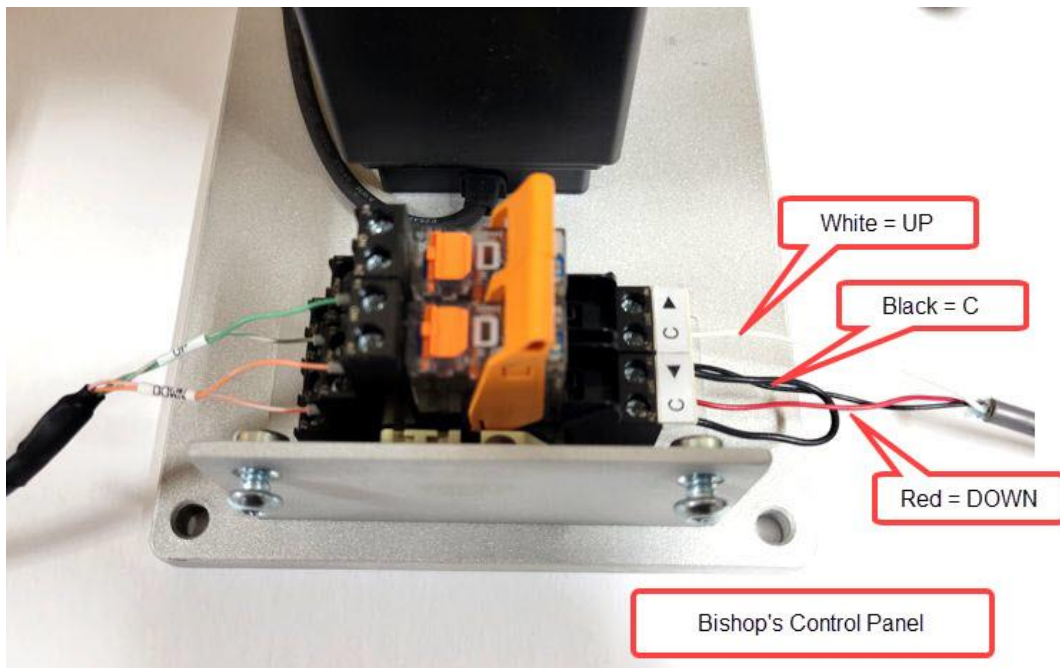
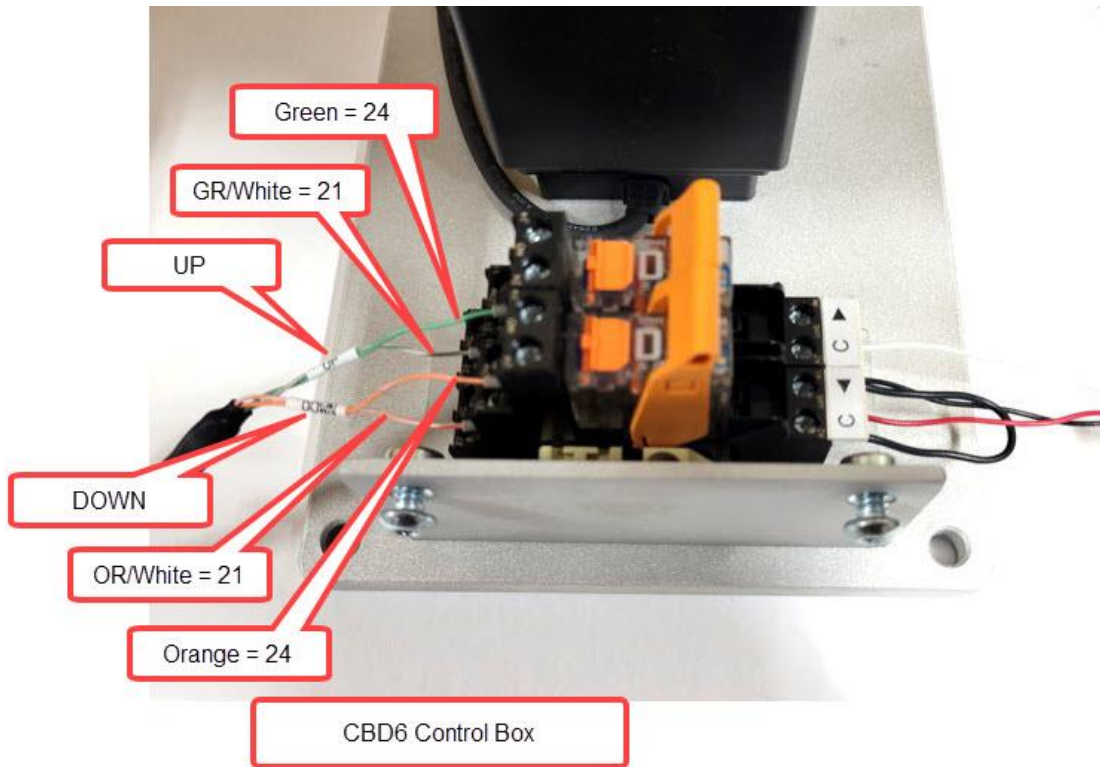
ALL cables must be connected to the CBD6 Control Box for proper operation.



Check the outlet for proper AC power: 90-240VAC, single phase, 50-60 Hz.

There is no power indicator on the CBD6 Control box. But there is on the surge cube that this lift should be plugged into.





Desk Panel for PL2022A Podium/Pulpit



Plug this desk panel into port A1 or A2 of the PL2022A Podium/Pulpit lift control box (CBD6).

The UP arrow button will run the lift to the internal upper limit. This limit is programmed at the factory at 12" (305mm).

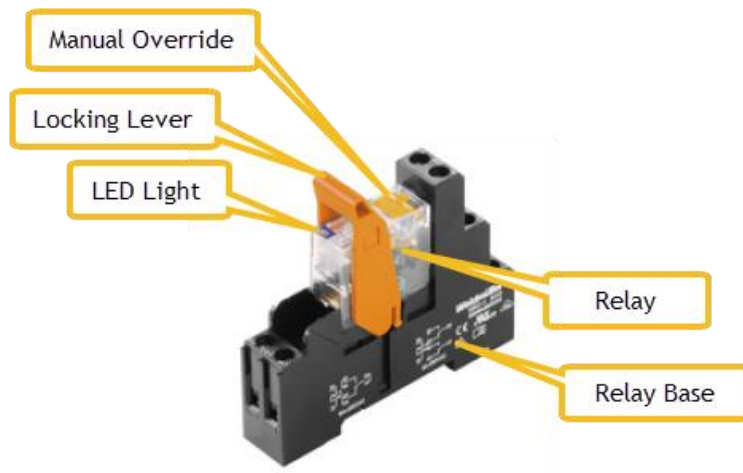
The DOWN arrow button will run the lift to the internal lower limit switch.

With the lift at the lower limit, if you press and hold the Down Arrow for 15-30 sec the lift will lower and raise (squat) approx. 1/8". This process is known as "homing" or "zeroing" the lift.

Once the lift has been homed you can run it up to a given height, for example the stain line on the neck then press the S button and the number 1 button at the same time to store that location as a soft upper limit. Once this soft limit is set the Bishops' control panel will only run the lift down to lower internal limit and up to the soft limit. You will need to use the UP arrow on this desk panel to run the lift higher if you need to program a new soft upper limit. This process can be repeated as needed.

Keep this panel in your truck or office to use on future installations or for trouble shooting.

Here is a picture of the relay assembly:



Specs for the Bishops' Control side (Coil Side):

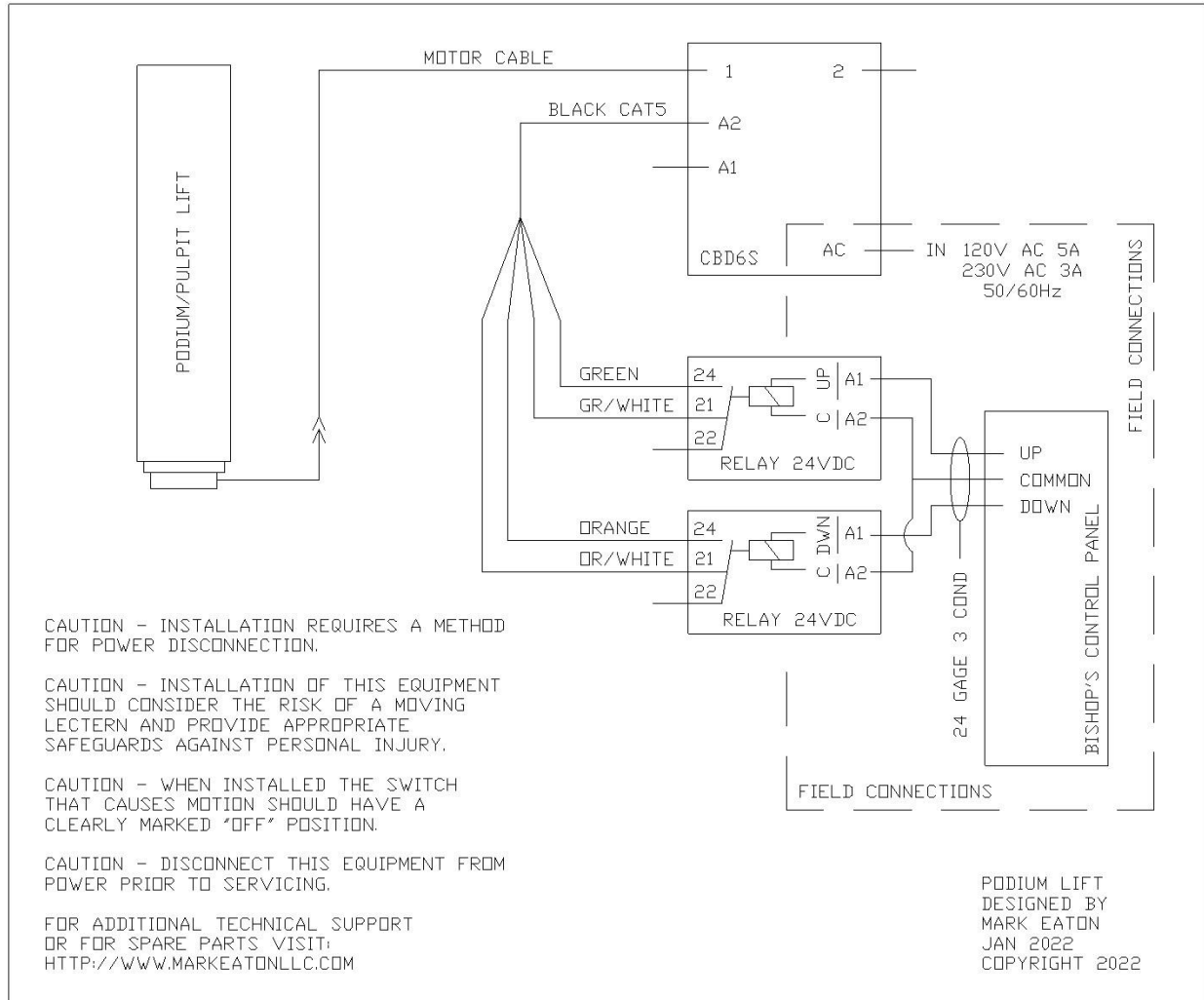
Input

Rated control voltage	24 V DC	Rated current DC	16.7 mA
Power rating	420 mW	Pull-in/drop-out voltage, typ.	16.8 V / 2.4 V DC
Coil resistance	1440 Ω ± 10 %	Status indicator	Green LED
Protective circuit	Free-wheel diode		

Connection data

Wire connection method	Screw connection	Stripping length, rated connection	8 mm
Tightening torque, min.	0.5 Nm	Tightening torque, max.	0.7 Nm
Clamping range, rated connection	2.5 mm ²	Clamping range, min.	1 mm ²
Clamping range, max.	2.5 mm ²	Wire cross-section, solid, min.	1 mm ²
Wire cross-section, solid, max.	2.5 mm ²	Wire connection cross-section, finely stranded, min.	1 mm ²
Wire connection cross section, finely stranded, max.	2.5 mm ²	Wire connection cross-section, finely stranded with wire-end ferrules DIN 46228/4, min.	1 mm ²
Wire connection cross-section, finely stranded with wire-end ferrules DIN 46228/4, max.	2.5 mm ²	Conductor cross-section, flexible, AEH (DIN 46228-1), min.	1 mm ²
Conductor cross-section, flexible, AEH (DIN 46228-1), max.	2.5 mm ²	Wire connection cross section, finely stranded, two clampable wires, min.	1 mm ²
Wire cross-section, finely stranded, two clampable wires, max.	1.5 mm ²	Blade size	size PZ1

Schematic: with Sound System



STANDARD CONNECTION WITH A SOUND SYSTEM